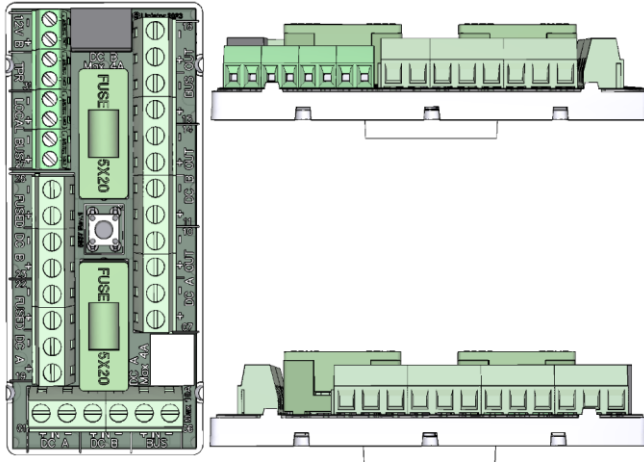


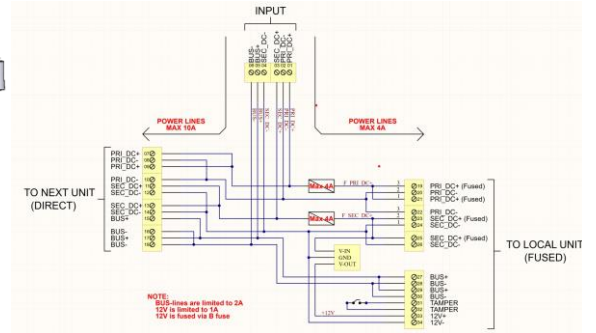
210809 - Module L Distribution Skrew

E5010484, Module L Distribution.terminal for branching primary and secondary power sources as well as communication bus, 12VDC converter. Fused outputs for local power. Tamper-protected.

Illustration



Koppling



Max Ampere: 10A
Max. Voltage 48V
Wight: 42g
Measures mm: 89x40x17
Sockettype: L
Socketmaterial: ABS

Connections (2.5mm²)
Cabelarea: 0.5-2.5mm²
Pin Type: Skruv
Tool: Spårskruvmejsel
 (3.5x0.6mm)
Connections (1.5mm²)
Cabelarea: 0.2-1.5mm²

--	--	--	--	--