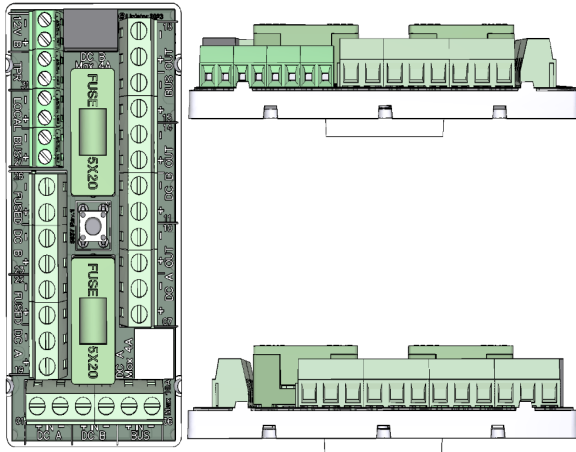


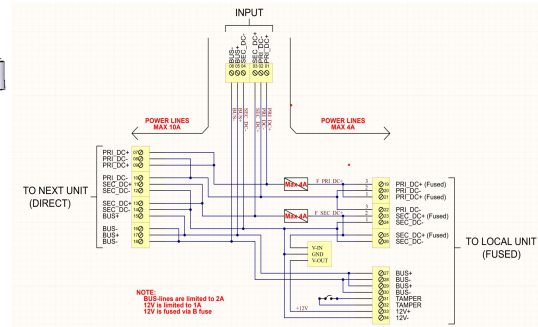
210809 - Module L Distribution Skrew

E5010484, Module L Distribution.terminal for branching primary and secondary power sources as well as communication bus, 12VDC converter. Fused outputs for local power. Tamper-protected.

Illustration



Koppling



Max Ampere: 10A

Max. Voltage 48V

Wight: 42g

Measures mm: 89x40x17

Sockettype: L

Socketmaterial: ABS

Connections (1.5mm²)

Cabelarea: 0.2-1.5mm²

Pin Type: Skruv

Tool: Spårskruvmejsel

(3.5x0.6mm)

Connections (1mm²)

Cabelarea: 0.14-1mm²

